

Female Header 2.0 mm

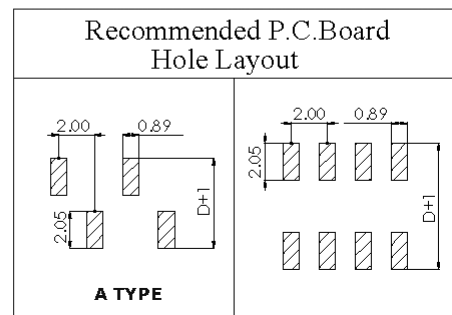
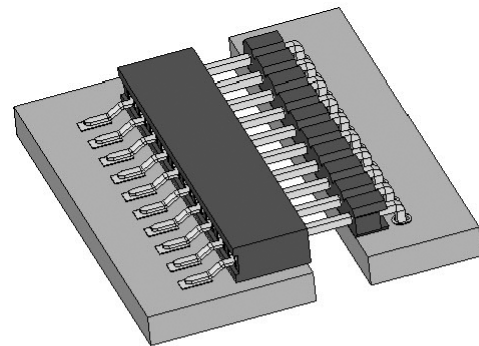
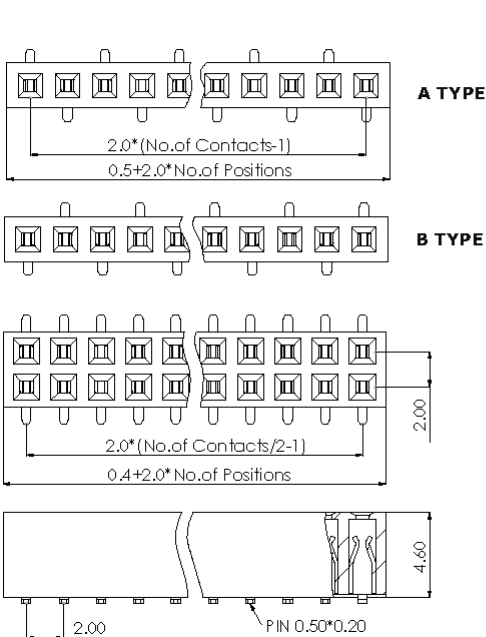
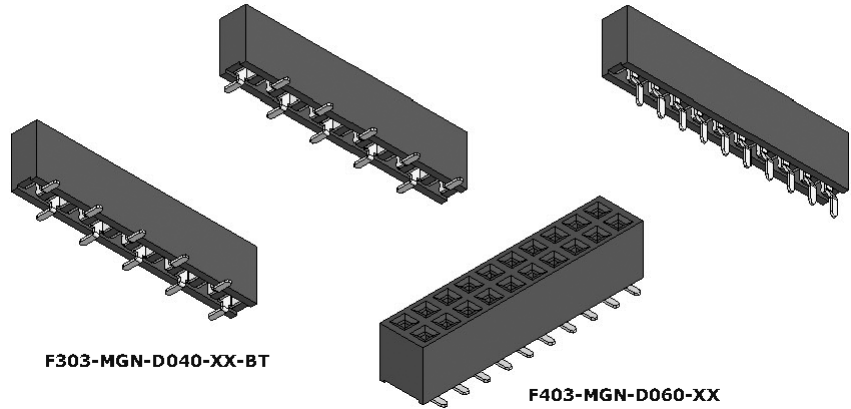
SMT Series

SPECIFICATIONS

Current Rating: 2 A
 Insulator Resistance: 3000 MOhm min.
 Contact Resistance: 20 mOhm max.
 Dielectric Withstanding: AC 500 V
 Operating Temperature: -40°C ~ +105°C
 Soldering Temperature: 260°C for 3~5sec. max
 Contact Material: Phosphor Bronze
 Insulator Material: Polyester, UL 94V-0
 Standard: Nylon-6T
 Finish: Tin, Gold or Duplex Plated
 Standard: Gold Flash all over
 Note: Duplex Plating: Gold Plated on contact area, Tin on solder area

F303-MGN-D040-XX-AT

F303-KGN-D027-XX



How to order

Unit: mm

Series	Connector Type	Contact Plating	Material	Pin Length mm	Number of Contacts	Other
FXXX	- X	X	X -	DXXX	- XX	- XT
F303:F/H 2.00 H:4.60 Single Row F403:F/H 2.00 H:4.60 Dual Row	K:"K" Type M:SMT Type	G:Gold Flash T: Tin Plated A:10U"Gold B:15U"Gold C:20U"Gold ©Duplex Plating D:Gold Flash/Tin (Standard:G)	N:Nylon-6T (Standard:N)	K-D D027 M-D D040 D060	F303:(02 TO 40 Contacts) F403:(04 TO 80 Contacts)	AT:A TYPE BT:B TYPE